



The Loewe® GK series



Torque

Resists axial motion
Bore diameter up to 50 mm
Torque (T_{KN}) 44 Nm to 220 Nm



Linear

Precise transmission of
push-pull loads
Bore diameter up to 50 mm
Thread diameter up to size M27

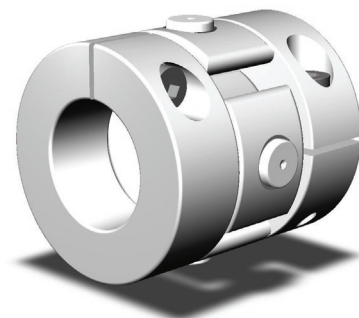
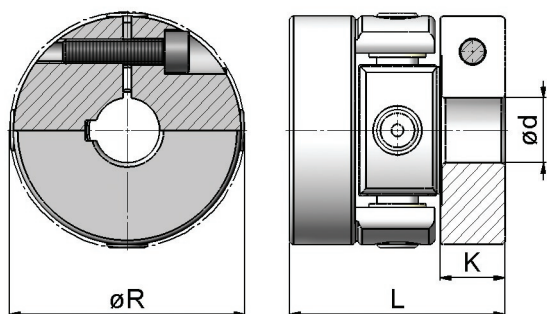
Loewe® GK

Loewe® GK: The axially fixed Loewe® GK is designed to offer generous angular and radial misalignment compensation together with high axial stiffness.

Loewe® GK is designed to resist axial motion and for precise transmission of pure linear motion for use in cylinder systems.

Torque

The Loewe® GK series for applications that on the one hand, must transmit torque and on the other, must transmit push-pull loads. By design, the Loewe® GK Torque series accommodates generous angular and parallel misalignments, also under axial force.



	ØR (mm)	L (mm)	Ød _{max} (mm)	K (mm)	m (kg)	T _{KN} (Nm)	TK _{max} (Nm)	ΔK _c (mm)	ΔK _w (°)	n _{max} (1/min)
GK 27	33	36	11	10,5	0,05	4	9	1	3	4.000
GK 35	41	37	16	12,5	0,09	7	15	1,5	3	3.500
GK 56	61	53	30	15	0,3	33	95	2	3	2.500
GK 75	84	83	40	25	0,8	90	240	2	3	2.500
GK 100	109	97	50	27,5	1,8	220	550	2,5	3	1.500

Order Example 1: GK 27 Ø6 Ø8 Order Example 2: GK 56 Ø20 Ø20N

GK 56	Ø20 Ø20N
Type Loewe® GK Torque GK 56	bore diameters

To ensure the correct selection of the Loewe® GK please use our selection procedure and legend area to download the required information.