

### The Controlflex® series



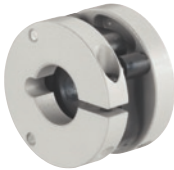
#### Standard

For all standard encoders



#### Impuls Plus

For encoders with maximum accuracy



#### Compact

The very short design



#### Industry

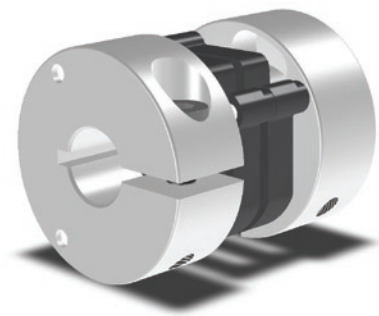
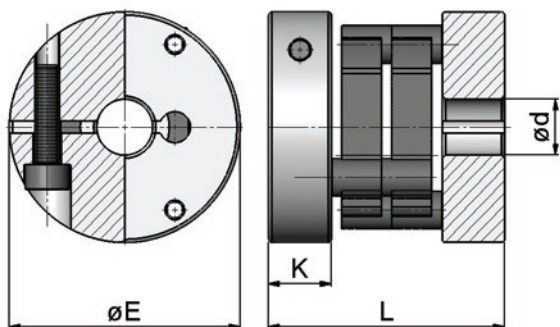
For robust industrial encoders

### Controlflex®

Controlflex® is the ideal coupling for encoders. Controlflex® is a compact, electrically-insulating, precise shaft coupling with excellent kinematic properties. Modular construction makes it possible to realize all possible bore combinations from stock.

### Impuls Plus

The Controlflex® series for encoders with maximum accuracy. It is predestined for encoders using a graduated disk with increased line counts or with fine measuring signals.



	ØE (mm)	L (mm)	Ød <sub>max</sub> (mm)	Ød <sub>min</sub> (mm)	K (mm)	m (kg)	J (kg cm <sup>2</sup> )	T <sub>KV</sub> (Nm)	T <sub>K</sub> max (Nm)	ΔK <sub>r</sub> (mm)	ΔK <sub>w</sub> (°)	ΔK <sub>a</sub> (mm)	n <sub>max</sub> (1/min)	C <sub>F</sub> (N)
CPS 8.2	19	20	10	3	5,6	0,01	0,01	0,6	1,4	0,4	1	0,3	25.000	6
CPS 10.2	25	31	12	4	9,5	0,03	0,02	1,4	2	0,7	1	0,5	22.000	6,8
CPS 15.2	37	38	20	5	10	0,07	0,12	4	6	1	1	0,7	15.000	8,8

Order Example 1: CPS 15.2 Ø10 Ø10    Order Example 2: CPS 8.2 Ø10 Ø10

CPS 8.2	Ø10 Ø10
Type Controlflex® Impuls Plus CPS 8.2	bore diameters

To ensure the correct selection of the Controlflex® please use our selection procedure and legend area to download the required information.